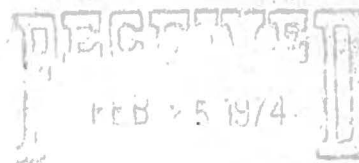
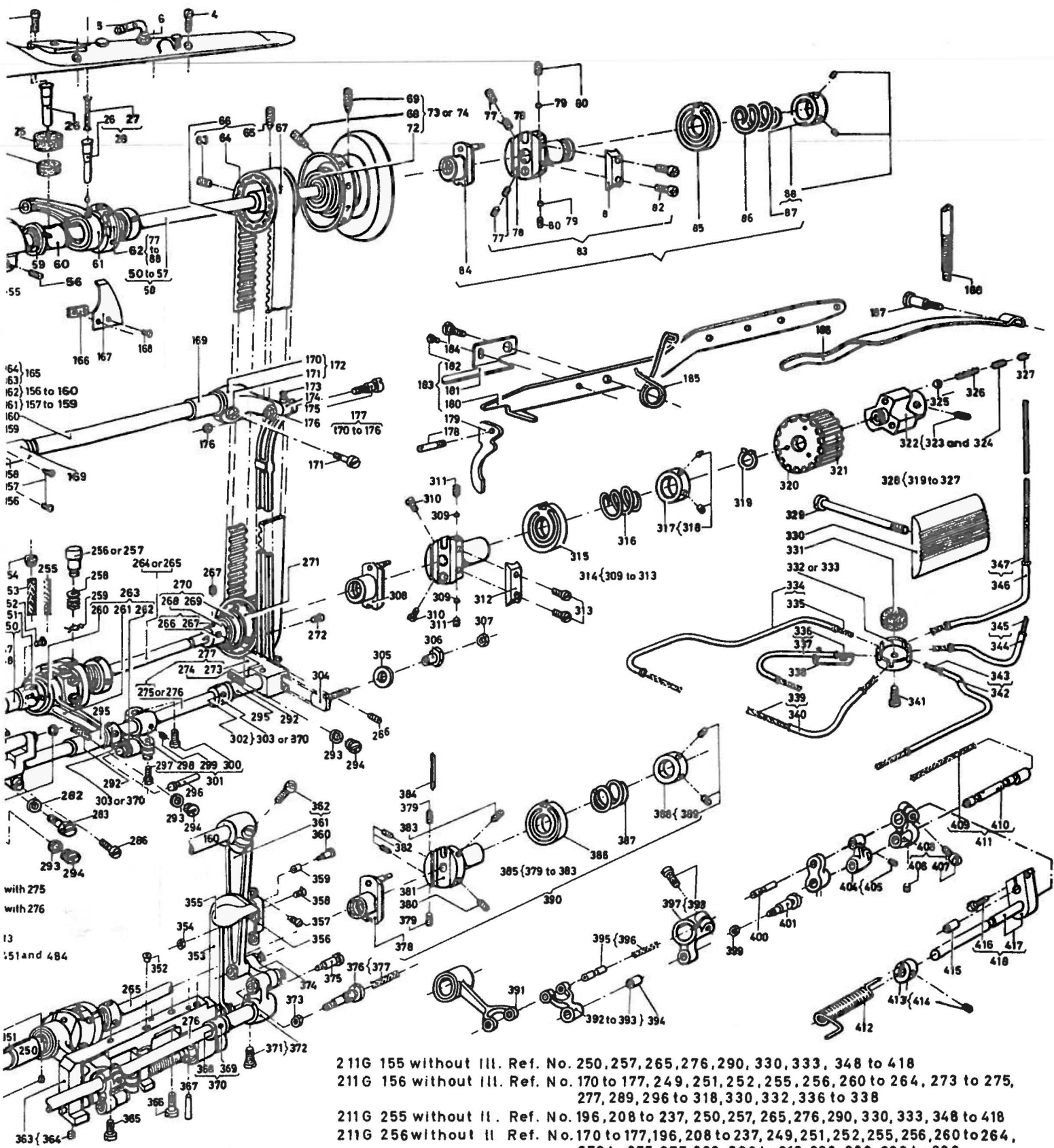


List of Parts



211G155, 211G156, 211G255 and 211G256 Class



- 211G 155 without III. Ref. No. 250, 257, 265, 276, 290, 330, 333, 348 to 418
- 211G 156 without III. Ref. No. 170 to 177, 249, 251, 252, 255, 256, 260 to 264, 273 to 275, 277, 289, 296 to 318, 330, 332, 336 to 338
- 211G 255 without II. Ref. No. 196, 208 to 237, 250, 257, 265, 276, 290, 330, 333, 348 to 418
- 211G 256 without II. Ref. No. 170 to 177, 196, 208 to 237, 249, 251, 252, 255, 256, 260 to 264, 273 to 275, 277, 289, 296 to 318, 330, 332, 336 to 338

SINGER

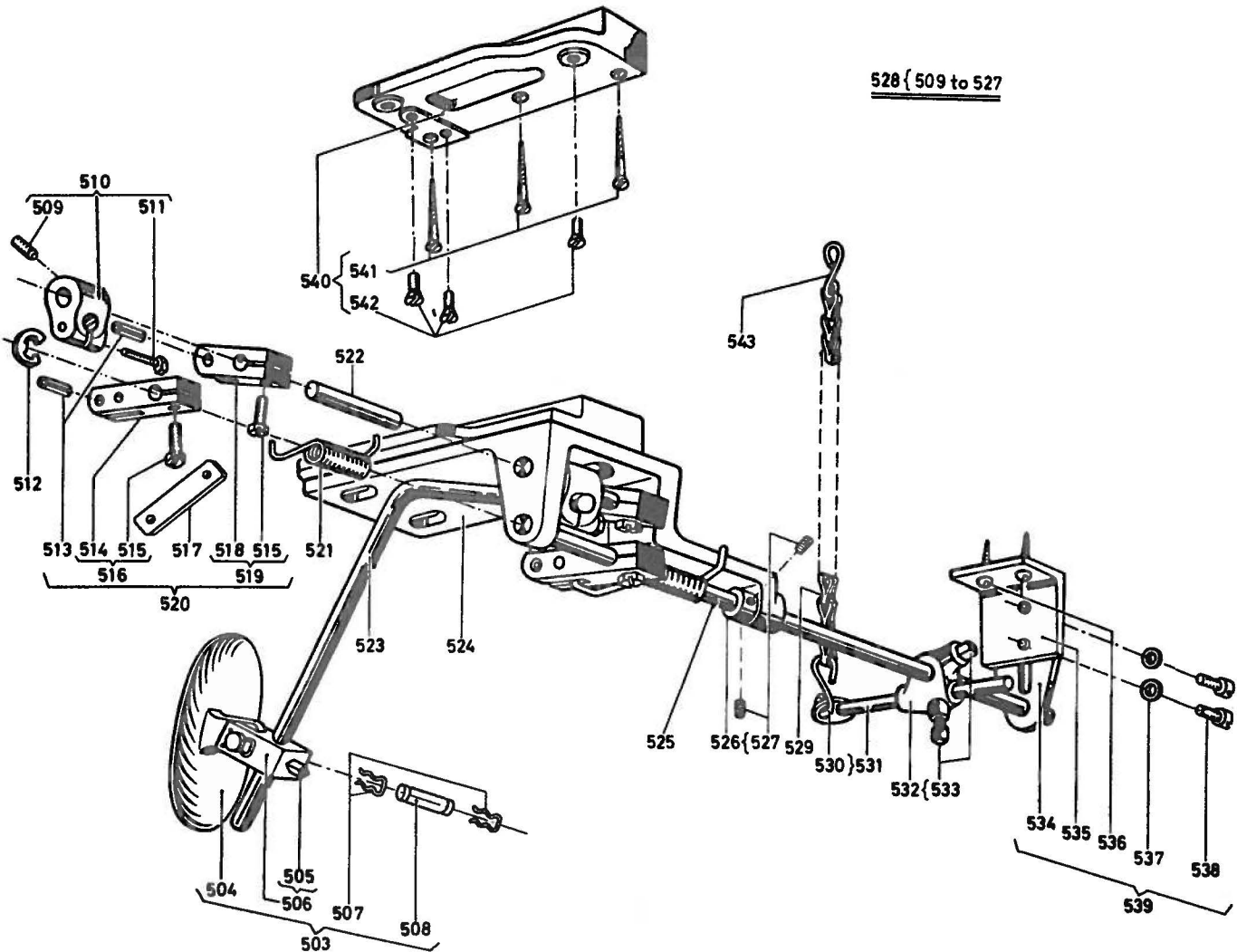
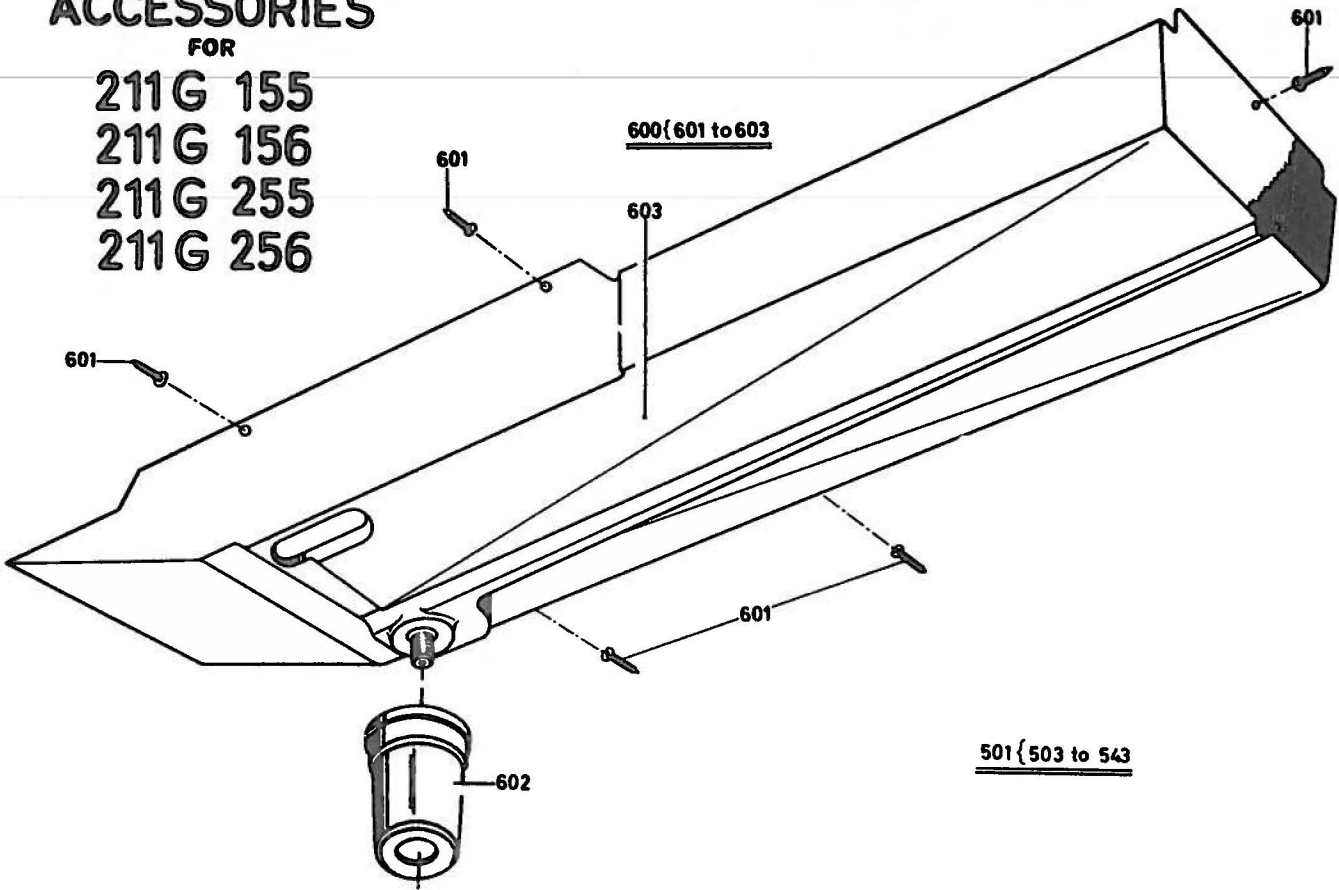
**211G 155, 211G 156,
211G 255, 211G 256**

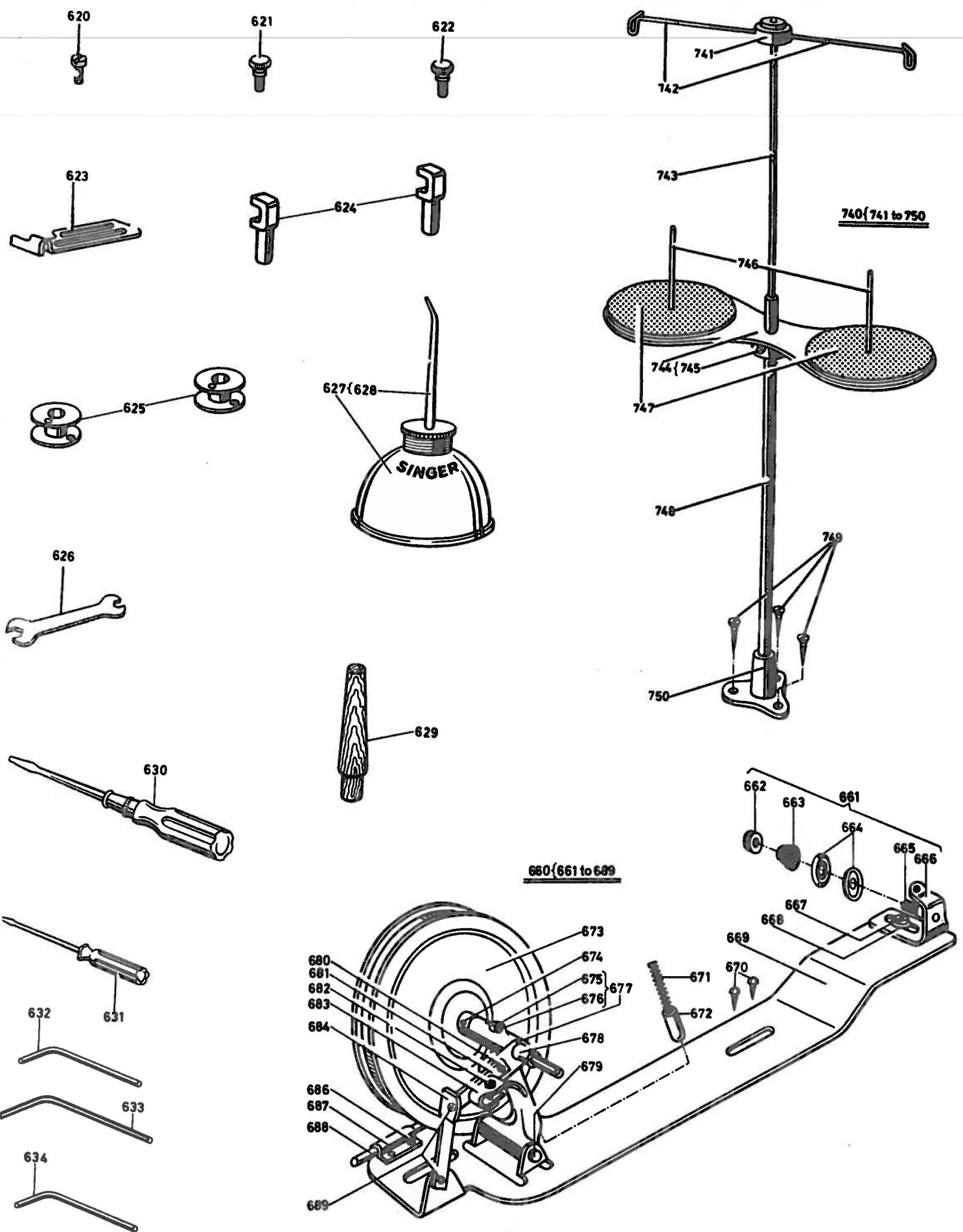
Copyright © 1966 by THE SINGER COMPANY Form 30-304G(666) Printed in WESTERN GERMANY

ACCESSORIES

FOR

- 211G 155
- 211G 156
- 211G 255
- 211G 256





Illustr. Ref. No.	Part No.	for Class		Name	Components
		155	156		
		255	256		
1	200047	804	x	Face Plate Screw (2)	
2	244705		x	Face Plate	
3	508271		x	Arm Cover (top)	
4	200047	819	x	Arm Cover (top) Screw (6)	
5	271017		x	Thread Guide	
6	201525	805	x	Thread Guide Lock Nut	
7	244741		x	Thread Lubricator Oil Socket Plunger Release Lever	
8	267323		x	Thread Lubricator Oil Socket Plunger Release Lever Pin	
9	201750	819	x	Thread Lubricator Oil Socket Plunger Adjusting Nut	
10	244742		x	Thread Lubricator Oil Socket Plunger Spring	
11	244739		x	Thread Lubricator Oil Socket Plunger	
12	244740		x	Thread Lubricator Oil Socket Plunger Oil Seal (Rubber)	
13	244736		x	Thread Lubricator Oil Reservoir Cover Gasket	
14	244735		x	Thread Lubricator Oil Reservoir Cover	
15	201402	819	x	Thread Lubricator Oil Reservoir Cover Screw (6)	
16	1623	819	x	Thread Lubricator Oil Socket Lock Nut	
17	244748		x	Thread Oil Lubricator Adjusting Nut Retainer	
18	244738		x	Thread Lubricator Oil Socket Lock Nut Washer	
19	244746		x	Thread Lubricator Oil Socket Oil Seal (2)	
20	244737		x	Thread Lubricator Oil Socket	
21	244743		x	Thread Lubricator Oil Tube	
22	201738	819	x	Thread Lubricator Oil Tube Nut	
23	244745		x	Thread Lubricator Cpl.	1623, 201738, 201750, 244734 to 244743, 244748, 267323, two 244746 and six 201402
24	204329		x	Arm Shaft Bushing Oil Pad, lower	
25	267160		x	Arm Shaft Bushing Oil Pad, upper	
26	508393		x	Arm Cover (top) Oil Tube (2)	
27	502603		x	Arm Cover (top) Oil Tube (back) wick	
28	508394		x	Arm Cover (top) Oil Tube (back) with	502603, 508393
29	500281		x	Lifting Bell Crank Link Screw Stud	
30	1664	805	x	Lifting Bell Crank Link Screw Stud Nut	
31	508298		x	Lifting Rock Shaft	
32	508264		x	Lifting Rock Shaft Cpl.	1664, 500281, 508298
33	240174		x	Lifting Rock Shaft Bushing (2)	
34	240171		x	Lifting Eccentric Connection Crank	with 200029, 248821
35	200029	805	x	Lifting Eccentric Connection Crank Pinch Screw	
36	248821		x	Lifting Eccentric Connection Crank Oil Wick	
37	267239		x	Take-up Lever Hinge Stud	with 235706
38	235706		x	Take-up Lever Hinge Stud Oil Wick	
39	200383	803	x	Take-up Lever Hinge Stud Set Screw	
40	241518		x	Take-up Lever	
41	202399		x	Take-up Lever Driving Stud	with 244071
42	244071		x	Take-up Lever Driving Stud Oil Wick	
43	202330		x	Needle Bar Connecting Stud Wick	
44	200086	833	x	Needle Bar Connecting Stud Pinch Screw	
45	208552		x	Needle Bar Connecting Stud with	200086, 202330
46	202552		x	Needle Bar Connecting Link	
47	244726		x	Take-up Lever Guard	
48	201341	803	x	Take-up Lever Guard Screw (3)	
49	200341	803	x	Arm Shaft Bushing Set Screw	
50	267466		x	Needle Bar Connecting Link Stud Wick	
51	267221		x	Needle Bar Connecting Link Stud with	267466
52	200378	803	x	Needle Bar Crank Check Screw	
53	200333	803	x	Needle Bar Crank Position Screw	
54	267222		x	Needle Bar Crank	
55	200374	830	x	Needle Bar Connecting Link Stud Set Screw	
56	200388	803	x	Needle Bar Connecting Link Stud Set Screw	
57	267158		x	Arm Shaft	
58	267247		x	Arm Shaft Cpl.	200333, 200374, 200378, 200388, 267158 267221, 267222
59	267224		x	Needle Bar Crank Friction Washer	
60	244747		x	Arm Shaft Bushing (front)	
61	508255		x	Lifting Eccentric Connection	
62	508273		x	Lifting Eccentric Cpl.	268064, 268065, 268066, 268067, 508254
63	200363	830	x	Arm Shaft Connection Belt Pulley Set Screw	

		for Class			
Illustr.	Part No.	155-156	255 256	Name	Components
64	202253	x	x	Arm Shaft Connection Bolt	
65	350492 830	x	x	Pulley Spring Flange (2)	
66	267162	x	x	Arm Shaft Connection Bolt	
				Pulley	with 200363, 350492, two 202253
67	267161	x	x	Arm Shaft Connection Bolt	
68	141567 830	x	x	Machine Pulley Set Screw	
69	141566 830	x	x	Machine Pulley Position Screw	
72	272142	x	x	Arm Shaft Ball Bearing (back)	
73	508256	x		Machine Pulley with	141566, 141567, 272142
74	508305	x		Machine Pulley with	141566, 141567, 272142
77	500321 830	x	x	Lifting Eccentric Flange	
				Hexagon Socket Screw (4)	
78	508293	x	x	Lifting Eccentric Flange	
79	241763	x	x	Lifting Eccentric Friction Plate	
				Screw Set Screw Packing (Brass)(-)	
80	350477 803	x	x	Lifting Eccentric Friction	
				Plate Screw Set Screw (2)	
81	267623	x	x	Lifting Eccentric Friction Plate	
82	350548 803	x	x	Lifting Eccentric Friction Plate	
				Screw (2)	
83	508254	x	x	Lifting Eccentric Flange	Cpl. 267623, 500321, 508293, two each 241763, 350477, 350548
84	268064	x	x	Lifting Eccentric	
85	268065	x	x	Lifting Eccentric Adjusting Disc	
86	268066	x	x	Lifting Eccentric Adjusting Disc	
				Spring	
87	268067	x	x	Lifting Eccentric Adjusting Disc	
				Spring Collar	with two 200382
88	200382 833	x	x	Lifting Eccentric Adjusting Disc	
				Spring Collar Set Screw (2)	
89	175 850	x	x	Tension Release Bracket Screw (2)	
90	86 850	x	x	Tension Release Bell Crank	
				Hinge Screw	
91	508277	x	x	Tension Release Bell Crank	
92	508275	x	x	Tension Release Bracket	
93	508272	x	x	Tension Release Bracket Cpl.	86, 508275, 508277
94	267265	x	x	Tension Release Lever Rod	
95	244729	x	x	Thread Retainer	
96	200159 806	x	x	Tension Bracket Screw	
97	200309 805	x	x	Tension Release Lever Screw (2)	
98	223703	x	x	Tension Release Lever	
99	204925	x	x	Thread Controller Stud Washer	
100	201199	x	x	Thread Controller Stud	with 204925
101	267368	x	x	Thread Controller Spring	
102	236060	x	x	Tension Disc Position Pin	
103	201224	x	x	Tension Stud	
104	240023	x	x	Tension Bracket with	201224, 236060
105	267315	x	x	Thread Controller Spring Top	
106	223704	x	x	Tension Release Plunger	
107	223706	x	x	Thread Controller Disc	
108	244048	x	x	Tension Disc (2)	
109	204271	x	x	Tension Release Washer	
110	201572 819	x	x	Tension Thumb Nut (2)	
111	223438	x	x	Tension Spring	
112	350588 819	x	x	Thread Controller Disc Screw	
113	244727	x	x	Tension Bracket Cpl.	201199, 204271, 223438, 223703, 223704, 223706, 240023, 267315, 267368, 350588 two each 200309 201572, 244048
114	200337 803	x	x	Thread Controller Stud Set Screw	
115	267316	x	x	Thread Guide	
116	200582 819	x	x	Thread Guide Screw	
117	200582 819	x	x	Thread Lubricator Plate Screw (2)	
118	244744	x	x	Thread Lubricator Plate	
119	200143 819	x	x	Thread Lubricator Oil Pad	
				Holder Screw (2)	
120	241765	x	x	Thread Lubricator Oil Pad	
121	263554	x	x	Thread Lubricator Oil Pad Holder	
122	244734	x	x	Thread Lubricator Oil Pad Holder	
				Cpl.	241765, 244744, 263554, two 200143
123	240517	x	x	Lifting Presser Foot	
124	200074 806	x	x	Lifting Presser Foot Screw	
125	208566	x	x	Presser Bar	with 200074
126	241352 002	x	x	Presser Bar Bushing Lower	
127	200352 833	x	x	Presser Bar Bushing + Position Guide	
				Set Screw (3)	
128	210949	x	x	Presser Bar Spring Bracket	with 200086
129	200086 833	x	x	Presser Bar Spring Bracket	
				Pinch Screw	
130	508281	x	x	Vibrating Presser Bar with Bell Crank	
				and Lifting Bell Crank Cpl.	202277, 240183, 240184, 240205, 508260

Illustr. Ref.No.	Part No.	for Class		Name	Components
		155 255	156 256		
132	500280	803	x x	Lifting Bell Crank Cap Screw	
133	240205		x x	Lifting Bell Crank	
134	202337		x x	Presser Bar Position Guide	
135	200086	833	x x	Presser Bar Position Guide Lever Pinch Screw	
136	202338		x x	Presser Bar Position Guide Lever	with 200086
137	207072		x x	Presser Bar Rushing Upper	
138	51369	803	x x	Presser Bar Lifter Bracket Pinch Screw	
139	508300		x x	Presser Bar Lifter Bracket	
140	508268		x x	Presser Bar Lifter Bracket	Cpl. 508300, 51369
141	508260		x x	Lifting Bell Crank Link	
142	508261		x x	Vibrating Presser Bar Extension	
143	508263		x x	Vibrating Presser Bar Extension Spring	
144	202277		x x	Vibrating Presser Bar Wick	
145	240183		x x	Vibrating Presser Bar	
146	240184		x x	Vibrating Presser Bar Connecting Link	
147	201015	819	x x	Vibrating Presser Foot Pinch Screw	
148	240518		x x	Vibrating Presser Foot with	201015
149	Cat. 3355		x x	Needle No. 22	
150	240499		x x	Needle Bar Thread Guide	
151	200175	804	x x	Needle Bar Thread Guide Screw	
152	201350	806	x x	Needle Set Screw	
153	240498		x x	Needle Bar	with 200175, 201350, 240499
154	508339		x x	Needle Bar Rock Frame	Oil Felt
155	508340		x x	Needle Bar Rock Frame	Oil Felt Cotter Pin (3)
156	40025		x x	Needle Bar Rock Frame Position Pin	
157	200587	804	x x	Needle Bar Rock Frame Wear Plate Screw (4)	
158	267287		x x	Needle Bar Rock Frame Wear Plate (2)	
159	*508295		x x	Needle Bar Rock Frame	
160	*267285		x x	Needle Bar Rock Frame Rock Shaft	
161	*508259		x x	Needle Bar Rock Frame Cpl.	*508295, two 267287, four 200587
162	508258		x x	Needle Bar Rock Frame Cpl.	40025, 267285, *508259
163	51095	803	x x	Vibrating Presser Bar Extension Guide Collar Pinch Screw	
164	508297		x x	Vibrating Presser Bar Extension Guide Collar	
165	508262		x x	Vibrating Presser Bar Extension Guide Collar Cpl.	51095, 508297
166	268197		x x	Needle Bar Connecting Link Oil Guard Lock Plate	
167	267220		x x	Needle Bar Connecting Link Oil Guard	
168	201313	806	x x	Needle Bar Connecting Link Oil Guard Lock Screw (2)	
169	267362		x x	Needle Bar Rock Shaft Rushing (2)	
170	508299		x	Needle Bar Rock Shaft Connection Link Crank	
171	500242	803	x	Needle Bar Rock Shaft Connection Link Crank Pinch Screw	
172	508267		x	Needle Bar Rock Shaft Connection Link Crank Cpl.	500242, 508299
173	202277		x	Needle Bar Rock Frame Rock Shaft Crank Connection Oil Wick	
174	223693		x	Needle Bar Rock Frame Rock Shaft Crank Connection with	202277
175	500243	803	x	Needle Bar Rock Shaft Connection Hinge Screw	
176	1662	805	x	Needle Bar Rock Shaft Connection Hinge Screw Nut	
177	508266		x	Needle Bar Rock Shaft Connection Link Crank Cpl.	1662, 223693, 500243, 508267
178	200653	803	x x	Presser Bar Lifter Hinge Screw	
179	508309		x x	Presser Bar Lifter	
180	508274		x x	Knee Lifter Lifting Lever	
181	508270		x x	Tension Release Actuating Spring	
182	225	850	x x	Tension Release Actuating Spring Screw	
183	508269		x x	Knee Lifter Lifting Lever	Cpl. 225, 508270, 508274
184	200224	850	x x	Knee Lifter Lifting Lever Hinge Screw	
185	227561		x x	Knee Lifter Lifting Lever Return Spring	
186	508291		x x	Presser Bar Spring (flat)	
187	200948	806	x x	Presser Bar Spring Support Screw	
188	350581	803	x x	Presser Bar Spring Regulating Screw	
189	240003		x x	Bed Slide, (back)	
190	223811		x x	Bed Slide (back) Stop	
191	691	831	x x	Throat Plate Screw (2)	
192	223812		x x	Bed Slide (back) Stop Spring	
193	508397		x x	Throat Plate	
194	240004		x x	Bed Slide, (front)	
195	244751		x x	Bed Slide, (aluminum)	

J Instr.		for Class				Name	Components
Ref.No.	Part No.	155	156	255	256		
196	233764	x	x	x	x	Bobbin Case	
197	203216	x	x	x	x	Bobbin Case Washer	
198	350405	803	x	x	x	Bobbin Case Oiling Felt Retainer Screw (2)	
199	241675	x	x	x	x	Bobbin Case Oiling Felt Retainer	
200	241674	x	x	x	x	Bobbin Case Oiling Felt	
201	203214	x	x	x	x	Bobbin Case Tension Spring	
202	200594	805	x	x	x	Bobbin Case Tension Spring Screw	
203	200984	803	x	x	x	Bobbin Case Tension Spring Regulating Screw	
204	203474	x	x	x	x	Bobbin Case Latch Spring	
205	203473	x	x	x	x	Bobbin Case Latch Plunger	
206	203648	x	x	x	x	Bobbin Case Latch	
207	202056	x	x	x	x	Bobbin Case Latch Pin	
208	233765	x	x			Bobbin Case Cpl.	200594, 200984, 202056, 203214, 203216, 203473, 203474, 203648, 233764, 241674, 241675, two 350405
209	240556	x	x			Hook (Sewing)	
210	240559	x	x			Hook Needle Guard	
211	201409	806	x	x		Hook Needle Guard Screw (2)	
212	203525	x	x			Hook Gib	
213	201253	806	x	x		Hook Gib Screw (2)	
214	240557	x	x			Hook Cpl.	203525, 240556, 240559, two each 201253, 201409, 233765, 240557
215	240558	x	x			Hook and Bobbin Case Cpl.	
216	200009	805	x	x		Hook Saddle Pinch Screw	
217	223850	x	x			Hook Saddle	with 200009
218	224020	x	x			Hook Bushing (upper)	
219	224019	x	x			Hook Bushing (lower)	
220	200446	803	x	x		Hook Bushing (upper) Position Screw	
221	200364	830	x	x		Hook Bushing (lower) Set Screw	
222	224024	x	x			Hook Saddle Cpl.	200364, 200446, 223850, 224019, 224020
223	223623	x	x			Bobbin Case Opener Lever Link	
224	201220	833	x	x		Hook Driving Pinion Position Screw	
225	200382	833	x	x		Hook Driving Pinion Set Screw	
226	240167	x	x			Hook Driving Pinion with	200382, 201220,
227	224022	x	x			Hook Driving Pinion Thrust Washer	
228	202277	x	x			Bobbin Case Opener Lever Hinge Stud Oil Packing Wick	
229	265088	x	x			Bobbin Case Opener Lever Hinge Stud	with 202277
230	224004	x	x			Bobbin Case Opener	
231	200118	804	x	x		Bobbin Case Opener Screw	
232	200364	803	x	x		Bobbin Case Opener Lever Hinge Stud Set Screw	
233	201542	803	x	x		Bobbin Case Opener Lever Driving Screw Stud Nut	
234	201349	803	x	x		Bobbin Case Opener Lever Driving Screw Stud	
235	203101	x	x			Bobbin Case Opener Lever Driving Screw Stud Nut Oil Packing Wick	
236	224005	x	x			Bobbin Case Opener Lever with	201349, 201542, 203101
237	240560	x	x			Hook Saddle Cpl.	200118, 200364, 223623, 224004, 224005, 224022, 224024, 240167, 240558, 265088
238	200006	805	x	x	x	Hook Saddle Screw	
239	225585	x	x	x	x	Hook Saddle Screw Washer	
240	244715	x	x	x	x	Hook Driving Shaft Bushing, left	
241	202254	x	x	x	x	Bed Oil Wick	
242	201220	833	x	x	x	Feed Lifting Eccentric Set Screw	
243	267182	x	x	x	x	Feed Lifting Eccentric with	201220
244	200100	805	x	x	x	Feed Dog Screw (2)	
245	264510	x	x	x	x	Feed Dog	
246	267188	x	x	x	x	Hook Driving Gear with	201220, 200382
247	200382	833	x	x	x	Hook Driving Gear Set Screw	
248	201220	833	x	x	x	Hook Driving Gear Position Screw	
249	244718	x	x			Hook Saddle Bearing, right	
250	508347	x	x	x		Hook Saddle Bearing, right	
251	267033	x	x			Feed Driving Eccentric Connection Friction Washer	
252	200382	819	x	x		Feed Driving Eccentric Connection Friction Washer Screw (3)	
253	202254	x	x	x	x	Bed Oil Wick	
254	350440	819	x	x	x	Bed Oil Screw	
255	263093	x	x			Hook Saddle Bearing Oil Wick, right	
256	267245	x	x			Feed Regulating Stud	
257	240244	x	x	x		Feed Regulating Stud	
258	270026	x	x	x	x	Feed Regulating Stud Spring	
259	240245	x	x	x	x	Feed Regulating Stud Retaining Spring	
260	268063	x	x			Feed Driving Eccentric Connection Needle Bearing	
261	267031	x	x			Feed Driving Eccentric Connection	

Illustr.		for Class		Name	Components
Ref. No.	Part No.	195-196	235 236		
262	270653	x		Feed Driving Eccentric Connection Hinge Stud Needle Bearing	
263	267032	x		Feed Driving Eccentric Connection Cpl.	267031, 268063, 270653
264	244712	x		Hook Driving Shaft	
265	508350	x	x	Hook Driving Shaft	
266	201220	833	x	Hook Driving Shaft Ball Bearing Collar Position Screw	
267	200382	833	x	Hook Driving Shaft Ball Bearing Collar Set Screw	
268	267190	x	x	Hook Driving Shaft Ball Bearing Collar with	200382, 201220
269	244713	x	x	Hook Driving Shaft Ball Bearing	
270	244714	x	x	Hook Driving Shaft Ball Bearing Collar Cpl.	244713, 267190
271	267063	x	x	Hook Driving Shaft Ball Bearing Retaining Washer	
272	200380	819	x	Hook Driving Shaft Ball Bearing Retaining Washer Screw (3)	
273	508285	x		Needle Bar Rock Shaft Crank	
274	508302	x		Needle Bar Rock Shaft Crank Pin	
275	508308	001	x	Feed Driving Rock Shaft	
276	508308	002	x	Feed Driving Rock Shaft	
277	508307	x		Feed Driving Rock Shaft Cpl.	508285, 508302, 508308-001
278	223655	x	x	Feed Lifting Eccentric Fork Oiling Felt	
279	200173	804	x	Feed Lifting Eccentric Fork Oiling Felt Screw	
280	267273	x	x	Feed Lifting Eccentric Fork	with 200173, 223655
281	240223	x	x	Feed Bar	
282	225837	x	x	Feed Lifting Eccentric Fork Screw Washer	
283	350197	805	x	Feed Lifting Eccentric Fork Screw	
284	240224	x	x	Feed Bar Cpl.	225837, 240223, 267273, 350197
285	244707	x	x	Feed Driving Rock Frame with two	200036
286	200036	805	x	Feed Driving Rock Frame Pinch Screw (2)	
287	201518	805	x	Feed Bar Hinge Screw Nut	
288	350393	805	x	Feed Bar Hinge Screw	
289	508306	001	x	Feed Driving Rock Shaft Cpl.	201518, 240224, 244707, 350393, 508307
290	508306	002	x	Feed Driving Rock Shaft Cpl.	201518, 240224, 244707, 350393, 508308-002
291	508304	x	x	Feed Driving Rock Shaft Bushing, front	
292	202234	x	x	Bed Oil Wick (3)	
293	243744	x	x	Bed Oil Stop Screw Gasket (3)	
294	350366	819	x	Bed Oil Stop Screw (3)	
295	244730	x	x	Feed Driving Rock Shaft Bushing, center and back (2)	
296	267034	x		Feed Driving Eccentric Connection Hinge Stud	
297	160	803	x	Feed Driving Eccentric Connection Hinge Stud Pinch Screw	
298	508301	x		Feed Driving Rock Shaft Crank	
299	458	830	x	Feed Driving Rock Shaft Crank Position Screw	
300	500242	803	x	Feed Driving Rock Shaft Crank Pinch Screw	
301	508278	x		Feed Driving Rock Shaft Crank Cpl.	160, 458, 500242, 508301,
302	200383	803	x	Feed Driving Rock Shaft Stop Collar Set Screw (4)	
303	202625	x		Feed Driving Rock Shaft Stop Collar (2)	with 200383
304	500278	803	x	Needle Bar Rock Shaft Crank Slide Screw	
305	508286	x		Needle Bar Rock Shaft Crank Slide Screw Spacer	
306	500787	803	x	Needle Bar Rock Shaft Crank Slide Screw Nut	
307	1662	805	x	Needle Bar Rock Shaft Crank Slide Screw Lock Nut	
308	268064	x		Feed Driving Eccentric	
309	241763	x		Feed Driving Eccentric Friction Plate Screw Set Screw Packing (brass) (2)	
310	350467	803	x	Feed Driving Flange Set Screw (2)	
311	350477	803	x	Feed Driving Eccentric Friction Plate Screw Set Screw (2)	
312	267623	x		Feed Driving Eccentric Friction Plate	
313	350548	803	x	Feed Driving Eccentric Friction Plate Screw (2)	
314	267180	x		Feed Driving Flange with	267623, two each 241763, 350467, 350477 350548
315	268065	x		Feed Driving Eccentric Adjusting Disc	
316	268066	x		Feed Driving Eccentric Adjusting Disc Spring	

Illustr. Ref.No.	for Class		Name	Components
	Part No.	155 156 255 256		
317	268067	x	Feed Driving Eccentric	
318	200382 833	x	Adjusting Disc Spring Collar	with two 200382
319	244763	x x	Feed Driving Eccentric	
320	202253	x x	Adjusting Disc Spring Collar Set Screw (2)	
321	244760	x x	Safety Clutch Over Load Pulley Retaining Ring	
322	244761	x x	Safety Clutch Belt Pulley Spring Flange	with 202253
323	140197 830	x x	Safety Clutch Belt Pulley	two 140197
324	1258 830	x x	Safety Clutch Over Load Pulley with	three 1258
325	244764	x x	Safety Clutch Over Load Pulley Set Screw (2)	
326	244762	x x	Safety Clutch Over Load Pulley Adjusting Screw (3)	
327	1266 830	x x	Safety Clutch Driving Ball 7/32 in. Diameter (3)	
328	244759	x x	Safety Clutch Driving Ball Spring (3)	
329	350563 805	x x	Safety Clutch Over Load Pulley Adjusting Screw Lock Screw (3)	
330	267152	x	Safety Clutch Cpl.	244760,244761, 244763, three each 1266, 244762,244764
330	508265	x	Arm Cover (Side) Screw	
331	508282	x	Arm Cover, Side	
332	508326 001	x	Arm Cover, Side	
333	508326 002	x	Bed Oil Tube Clamp Oiling Felt	
334	508321	x	Bed Oil Tube Clamp	
335	508323	x	Bed Oil Tube Clamp	
336	508335	x	Hook Driving Shaft Bearing Left Oil Tube Cpl.	508322,508323
337	508333	x	Hook Driving Shaft Bearing (left) Oil Tube Wick	
338	267293	x	Feed Driving Eccentric Connection Oil Tube Wick	
339	508332	x	Feed Driving Eccentric Connection Oil Tube Cpl.	* 508334,508335
340	508324	x	Feed Driving Eccentric Connection Oil Tube Support	
341	200034 803	x	Hook Saddle Bearing Oil Tube Wick	
342	508317	x	Hook Saddle Bearing Oil Tube Cpl.	508325,508332
343	267411	x	Bed Oil Tube Clamp Screw	
344	508319	x	Feed Driving Rock Shaft Bushing Oil Tube Cpl.	267411,508318
345	267262	x	Feed Driving Rock Shaft Bushing Oil Tube Wick	
346	508330	x	Feed Driving Rock Shaft Bushing Oil Tube Cpl.	267262,508320
347	267322	x	Feed Driving Rock Shaft Bushing Oil Tube Wick	
348	350562 833	x	Bed Oil Supply Tube Cpl.	267322,508331
349	508349	x	Bed Oil Supply Tube Oil Wick	
350	508348	x	Oil Slinger Set Screw	
351	223847	x	Oil Slinger	
352	255168	x	Oil Slinger Cpl.	350562,508349
353	267414	x	Hook Saddle Bearing Oil Wick, right	
354	201529 819	x	Bed Oil Cup (2)	
355	276160	x	Feed Reversing Lever	
356	240574	x	Feed Reversing Lever Handle Screw Nut	
357	691 831	x	Feed Reversing Lever Handle	
358	200575 819	x	Feed Reversing Lever Guide Roller Position Plate	
359	201829	x	Feed Reversing Lever Guide Roller Position Plate Screw (2)	
360	200274 803	x	Feed Reversing Lever Guide Roller Position Plate	
361	267229	x	Feed Reversing Lever Guide Roller Position Plate Screw (2)	
362	200029 803	x	Feed Reversing Lever Handle Screw	
363	267418	x	Feed Reversing Lever Guide Roller	
364	200364 830	x	Feed Reversing Lever Guide Roller Screw Stud	
365	200029 805	x	Needle Bar Rock Frame Rock Shaft Connection with	200029
366	200019 805	x	Needle Bar Rock Frame Rock Shaft Connection Pinch Screw	
367	232244	x	Feed Reversing Shaft Bracket with	200364
368	508328	x	Feed Reversing Mechanism Support Link Stud Set Screw	
369	454 803	x	Feed Reversing Shaft Bracket Screw (left)	
370	508327	x	Feed Reversing Shaft Bracket Screw (right)	
371	200029 803	x	Feed Reversing Shaft Bracket Position Pin (2)	
372	267228	x	Feed Driving Rock Shaft Stop Collar (2)	
373	201517 805	x	Feed Driving Rock Shaft Stop Collar Set Screw (4)	
		x	Feed Driving Rock Shaft Stop Collar Cpl. (2)	508328, two 454
		x	Needle Bar Rock Frame Rock Shaft Crank Pinch Screw	
		x	Needle Bar Rock Frame Rock Shaft Crank with	200029
		x	Needle Bar Rock Frame Rock Shaft Crank	
		x	Needle Bar Rock Frame Rock Shaft Crank Link Hinge Screw Nut (2)	

Illustr. Ref.No.	Part No.	for Class		Name	Components
		155 156	255 256		
374	267230	x		Needle Bar Rock Frame Rock Shaft Crank Link	
375	200247 803	x		Feed Reversing Lever Hinge Screw	
376	350566 803	x		Needle Bar Rock Frame Rock Shaft Crank Link Hinge Screw with 202277 (2)	
377	202277	x		Needle Bar Rock Frame Rock Shaft Crank Link Hinge Screw Oil Wick	
378	508351	x		Feed Driving Eccentric	
379	350562 833	x		Feed Driving Eccentric Friction Gib Adjusting Screw Set Screw (2)	
380	200346 803	x		Feed Driving Eccentric Flange Set Screw	
381	508353	x		Feed Driving Eccentric Flange	
382	350578 833	x		Feed Driving Eccentric Friction Gib Adjusting Screw (2)	
383	200333 803	x		Feed Driving Eccentric Flange Position Screw	
384	240231	x		Feed Driving Eccentric Friction Gib	
385	508352	x		Feed Driving Eccentric Flange Cpl.	200333, 200346, 508353, two each 350562, 350578
386	240230	x		Feed Driving Eccentric Adjusting Disc	
387	248415	x		Feed Driving Eccentric Adjusting Disc Spring	
388	248416	x		Feed Driving Eccentric Adjusting Disc Spring Collar with two 200382,	
389	200382 833	x		Feed Driving Eccentric Adjusting Disc Spring Collar Set Screw (2)	
390	508355	x		Feed Driving Eccentric Cpl.	240230, 240231, 248415, 248416, 508351, 508352.
391	508344	x		Feed Driving Eccentric Connection Cpl.	*508345, 508346
392	276169	x		Feed Driving Connection Link	
393	270653	x		Feed Driving Connection Link Needle Bearing	
394	276170	x		Feed Driving Connection Link Cpl.	270653, 276169
395	276171	x		Feed Driving Eccentric Con- nection Link Hinge Pin with 244071	
396	244071	x		Feed Driving Eccentric Con- nection Link Hinge Pin Oil Packing	
397	240589	x		Feed Driving Connection Crank with 200029	
398	200029 850	x		Feed Driving Connection Crank Pinch Screw	
399	201531 805	x		Feed Driving Rock Shaft Crank Hinge Screw Nut	
400	276174	x		Feed Reversing Mechanism Support Link Stud	
401	350307 803	x		Feed Driving Rock Shaft Crank Hinge Screw	
402	200386 803	x		Feed Reversing Shaft Crank Hinge Stud Set Screw	
403	276173	x		Feed Reversing Mechanism Support Link	with 200386
404	276165	x		Feed Reversing Shaft Crank Link	with 200394
405	200394 803	x		Feed Driving Eccentric Connection Link Hinge Pin Set Screw	
406	200386 803	x		Feed Reversing Shaft Crank Hinge Stud Set Screw	
407	200040 805	x		Feed Reversing Shaft Crank Pinch Screw	
408	270830 001	x		Feed Reversing Shaft Crank	with 200040, 200386
409	276046	x		Feed Reversing Shaft Crank Hinge Stud Oil Packing	
410	508342	x		Feed Reversing Shaft Crank Hinge Stud	
411	508341	x		Feed Reversing Shaft Crank Hinge Stud Cpl.	276046, 508342
412	267415	x		Feed Reversing Lever Spring	
413	267416	x		Feed Reversing Lever Spring Collar with	two 200382
414	200382 833	x		Feed Reversing Lever Spring Collar Set Screw (2)	
415	508329	x		Feed Reversing Shaft Driving Stud	
416	200047 805	x		Feed Reversing Shaft Driving Stud Pinch Screw	
417	267417	x		Feed Reversing Shaft	
418	508354	x		Feed Reversing Shaft Cpl.	200047, 267417

Illustr. Ref.No.	Part No.	for Class 255 256	Name	Components
430	267140	X X	Hook Saddle Pinch Sleeve (upper)	
431	267197	X X	Hook Saddle Oil Gauge	
432	225585	X X	Hook Saddle Screw Washer	
433	267139	X X	Hook Saddle Pinch Sleeve (lower)	
434	200006 805	X X	Hook Saddle Screw	
435	200001 805	X X	Hook Saddle Pinch Sleeve Screw	
437	267351	X X	Bobbin Case Opener	
438	200110 804	X X	Bobbin Case Opener Screw	
439	235099	X X	Bobbin Case	
440	235100	X X	Bobbin Case cpl.	200594, 200984, 202056, 203214, 203216, 203473, 203474, 203648, 235099, 241674, 241675, two 350405.
441	267356	X X	Hook cpl.	267355, 267358 to 267360, 350574, two each 200591, 201253, 201409.
442	201253 806	X X	Hook Gib Screw (2)	
443	267358	X X	Hook Gib	
444	350574 806	X X	Hook Height Adjusting Screw	
445	201409 806	X X	Hook Needle Guard Screw (2)	
446	267359	X X	Hook Needle Guard	
447	267360	X X	Hook Thread Guard	
448	200591 819	X X	Hook Thread Guard Screw (2)	
449	140434 833	X X	Hook Set Screw (2)	
450	267355	X X	Hook (Sewing) with two 140434	
451	244711	X X	Hook and Bobbin Case opl.	235100, 267356.
452	267367	X X	Hook Shaft Bushing	
453	267248	X X	Hook Driving Pinion Thrust Bearing	
454	350595 850	X X	Hook Driving Pinion Set Screw	
455	267366	X X	Hook Driving Pinion with two	350595
456	267053	X X	Hook Ball Bearing	
457	267361	X X	Hook Ball Bearing Retainer (2)	
458	200089 819	X X	Hook Ball Bearing Retainer Screw (2)	
459	267277	X X	Hook Saddle Oil Strainer	
460	267198	X X	Hook Saddle Oil Gauge Sleeve with	267277.
461	267215	X X	Hook Shaft with	270880, 276061
462	276061	X X	Hook Shaft Oil Wick Holder	
463	270880	X X	Hook Shaft Oil Wick	
464	267167	X X	Bobbin Case Opener Crank Hinge Stud	
465	267166	X X	Bobbin Case Opener Crank	
466	200135 803	X X	Bobbin Case Opener Crank Cap Screw	
467	267194	X X	Hook Saddle with	200185, 267367, 267370, 267371
468	267212	X X	Hook Saddle Oil Reservoir Gasket	
469	267200	X X	Hook Saddle Oil Reservoir	
470	200061 833	X X	Hook Saddle Oil Reservoir Screw (8)	
471	267370	X X	Bobbin Case Opener Driving Cam Shaft Bushing (lower)	
472	350595 850	X X	Bobbin Case Opener Driving Cam Shaft Gear (spiral) Set Screw (2)	
473	267365	X X	Bobbin Case Opener Driving Cam Shaft Gear (spiral) with two	350595
474	267371	X X	Bobbin Case Opener Driving Cam Shaft Bushing (upper)	
475	244704	X X	Bobbin Case Opener Driving Cam Shaft	
476	267172	X X	Bobbin Case Opener Link	
477	200185 804	X X	Hook Saddle Oil Stop Screw	
478	200135 803	X X	Bobbin Case Opener Link Cap Screw	
479	200388 803	X X	Bobbin Case Opener Crank Hinge Stud Set Screw Check Screw	
480	200374 830	X X	Bobbin Case Opener Crank Hinge Stud Set Screw	
481	350564 805	X X	Hook Saddle Oil Regulating Screw	
482	244084	X X	Hook Saddle Oil Regulating Screw Check Screw Packing (fibre)	
483	200378 803	X X	Hook Saddle Oil Regulating Screw Check Screw	
484	508279	X X	Hook Saddle opl.	200378, 200374, 244084, 200388, 267166, 244704, 267172, 267053, 267198, 267167, 267212, 267194, 267248, 267200, 267365, 267215, 350564, 267366, two each 200089 267361, 200135, eight . 200061 200110, 244711, 267351, 508279
485	244720	X X	Hook Saddle with	

For Information

Part No.	for Class				Name
	155	156	255	256	
200004-805	x	x	x	x	Arm Position Screw (4)
202005	x	x	x	x	Arm Position Screw Washer (4)
204235	x	x	x	x	Arm Position Pin (2)
228485	x	x	x	x	Variety Plate Drive Screw (2)
267388	x	x	x	x	Tension Release Lever Rod Tube for 508252-001 and 508252-002
*508252-001	x		x		Arm
*508252-002		x		x	Arm
*508252-001	x		x		Bed
*508252-002		x		x	Bed
*508288		x		x	Arm and Bed bolted
*508292	x		x		Arm and Bed bolted
*508336-042		x			Variety Plate
*508336-055	x				Variety Plate
*508336-061			x		Variety Plate
*508336-062				x	Variety Plate
*508345		x		x	Feed Driving Eccentric Connection
*508346		x		x	Feed Driving Eccentric Connection Bushing

Parts marked with an asterisk (*) are furnished only when repairs are made at the factory.

Accessories

Knee Lifter for Class 211 G 155, 156, 255, 256

501	503557	Knee Lifter Cpl.	6337, 39811, 147175, 147489 151149, 202784, 228347, 503570, 503571, 503574 147174, 147176, 147177 and two 147303
503	147175	Knee Lifter Rock Shaft Knee Arm Plate Cpl.	
504	147174	Knee Lifter Rock Shaft Knee Arm Plate	
505	356-803	Knee Lifter Rock Shaft Knee Arm Plate Hinge Fork Set Screw	
506	147176	Knee Lifter Rock Shaft Knee Arm Plate Hinge Fork	with 356
507	147303	Knee Lifter Rock Shaft Knee Arm Plate Hinge Fork Hinge Pin Retainer Clip (2)	
508	147177	Knee Lifter Rock Shaft Knee Arm Plate Hinge Fork Hinge Pin	
509	140737-803	Knee Lifter Rock Shaft Knee Plate Arm Bracket Screw	
510	147489	Knee Lifter Rock Shaft Knee Plate Arm Bracket with 140351-830 and 140737-803	
511	140351-830	Knee Lifter Rock Shaft Knee Plate Arm Bracket Screw	
512	503560	Knee Lifter Rock Shaft Catch Ring	
513	503566	Knee Lifter Rock Shaft Lever Link Hinge Pin (2)	
514	503563	Knee Lifter Rock Shaft Knee Arm Hinge Bracket Lever (long)	
515	500249-805	Knee Lifter Rock Shaft Knee Arm Hinge Bracket Lever Pinch Screw (2)	
516	503562	Knee Lifter Rock Shaft Knee Arm Hinge Bracket Lever (long) Cpl.	500249, 503563
517	147180	Knee Lifter Rock Shaft Lever Link	
518	503565	Knee Lifter Rock Shaft Knee Arm Hinge Bracket Lever (short)	
519	503564	Knee Lifter Rock Shaft Knee Arm Hinge Bracket Lever (short) Cpl.	500249, 503565
520	503561	Knee Lifter Rock Shaft Lever Cpl.	147180, 503562, 503564, and two 503566
521	503567	Knee Lifter Rock Shaft Lever Retaining Spring	
522	503575	Knee Lifter Rock Shaft (short)	
523	503570	Knee Lifter Rock Shaft Knee Plate Arm	
524	503558	Knee Lifter Rock Shaft Bracket	
525	503559	Knee Lifter Rock Shaft (long)	
526	268072	Knee Lifter Rock Shaft Stop Collar	with two 200386
527	200386-803	Knee Lifter Rock Shaft Stop Collar Set Screw (2)	
528	503574	Knee Lifter Rock Shaft Bracket Cpl.	268072, 503558, 503559, 503561, 503567, 503575, and 503560
529	228347	Knee Lifter Lifting Lever Pull Chain	
530	39576	Knee Lifter Rock Shaft Lifting Chain Hook	
531	39811	Knee Lifter Rock Shaft Lifting Bracket Extension	with 39576
532	6337	Knee Lifter Rock Shaft Lifting Bracket	with two 356
533	356-803	Knee Lifter Rock Shaft Lifting Bracket Set Screw (2)	
534	503573	Knee Lifter Rock Shaft Support Bracket Adjusting Plate	
535	503572	Knee Lifter Rock Shaft Support Bracket	
536	500282	Knee Lifter Rock Shaft Support Bracket Adjusting Plate Wood Screw (2)	
537	175184-819	Knee Lifter Rock Shaft Support Bracket Adjusting Plate Screw Washer (2)	
538	51208-819	Knee Lifter Rock Shaft Support Bracket Adjusting Plate Screw (2)	

539	503371	Knob Lifter Hook Shaft Support Bracket Cpl.	503372, 503373 two each 51208, 175184, 500282 with three each 140500 and Wood Screw
540	151149	Knob Lifter Auxiliary Base	
541	---	Knob Lifter Auxiliary Wood Screw (1-3/4 in. No. 12 PH) (3)	
542	140500 813	Knob Lifter Auxiliary Base Screw (3)	
543	202784	Knob Lifter Lifting Lever Pull Chain Hook	

Drip Pan for Class 211 G 155, 156, 255, 256

600	228886	Drip Pan (plastic) Cpl.	228883, 228805 and five 350708
601	550708	Drip Pan (plastic) Screw Nail (5)	
602	228885	Drip Pan	
603	228883	Drip Pan Drain Jar	
620	200157 819	Attachment Screw	
621	200861 819	Bed Slide Thumb Screw	
622	200861 819	Cloth Guide Thumb Screw	
623	231337	Cloth Guide	
624	12361	Machine Hinge Connection (2)	
625	244750	Bobbin	
626	225554	Wrench, Steel	
627	120342	Oilier (copper plated)	with 120343
628	120343	Oilier Spout (3-1/2 in. long)	
629	41400	Machine Rest Pin (wood)	
630	225498	Screw Driver (7-1/4 in. long)	
631	228476	Screw Driver (Bobbin Case)	
632	503646	Wrench (3/32 in. Hex.)	
633	239353	Wrench (5/32 in. Hex.)	
634	240566	Wrench (1/16 in. Hex. for Class 211 G 156 and 256)	

Universal Bobbin Winder

660	259462	Universal Bobbin Winder Cpl.	200056, 200082, 200113, 200299, 202478, 225381, 225444, 225453 to 225456, 225458, 225462, 228026, 259428, 259429, 259662, 259930, two each 225459 and Wood Screw
661	225462	Bobbin Winder Tension Bracket Cpl.	13710, 201572, 225461 and two 2102
662	201572 819	Bobbin Winder Tension Stud Thumb Nut	
663	13710	Bobbin Winder Tension Spring	
664	2102	Bobbin Winder Tension Disc (2)	
665	201499 819	Bobbin Winder Tension Stud	
666	225461	Bobbin Winder Tension Bracket	with 201499
667	200082 804	Bobbin Winder Tension Bracket Screw	
668	228026	Bobbin Winder Tension Bracket Screw Washer	
669	259662	Bobbin Winder and Tension Bracket Base	
670	---	Bobbin Winder Wood Screw (3/4 in. No. 12 RHB) (2)	
671	225456	Bobbin Winder Frame Spring Plunger	
672	225455	Bobbin Winder Frame Spring	
673	259930	Bobbin Winder Pulley	with 457
674	457 830	Bobbin Winder Pulley Set Screw	
675	244071	Bobbin Winder Frame Oil Packing (wick)	
676	259660	Bobbin Winder Frame Oil Well Washer	
677	225453	Bobbin Winder Frame	with 244071 and 259660
678	225381	Bobbin Winder Spindle	
679	225454	Bobbin Winder Frame Hinge Pin	
680	200299 819	Bobbin Winder Stop Latch Trip Lever Hinge Screw	
681	202478	Bobbin Winder Stop Latch Trip Lever	
682	200056 805	Bobbin Winder Stop Latch Screw	
683	225444	Bobbin Winder Stop Latch	
684	225458	Bobbin Winder Stop Latch Thumb Lever	
686	200113 806	Bobbin Winder Brake Clamp Screw	
687	259429	Bobbin Winder Brake Clamp	
688	259428	Bobbin Winder Brake (leather)	
689	225459	Bobbin Winder Stop Latch Thumb Lever Hinge Stud (2)	

Thread Unwinder

740	228776	Thread Unwinder Cpl. (For two Spools)	228766 to 228768, 228770, 228774, two each 150203, 228764, 228769 and three Wood Screws
741	228770	Thread Unwinder Thread Guide Holder	
742	228769	Thread Unwinder Thread Guide (2)	
743	228774	Thread Unwinder Thread Guide Rod	
744	228766	Thread Unwinder Spool Rest	with 201254
745	201254 803	Thread Unwinder Spool Rest Set Screw	
746	228764	Thread Unwinder Spool Pin (2)	
747	150203	Thread Unwinder Spool Rest Cushion (felt) (2)	
748	228767	Thread Unwinder Spool Rest Rod	
749	---	Thread Unwinder Wood Screw (7/8 in. No. 12) (3)	
750	228768	Thread Unwinder Spool Stand	
---	3355-20-1	Needle (3)	
---	3355-22-1	Needle (2)	